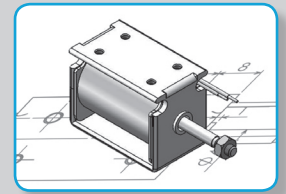
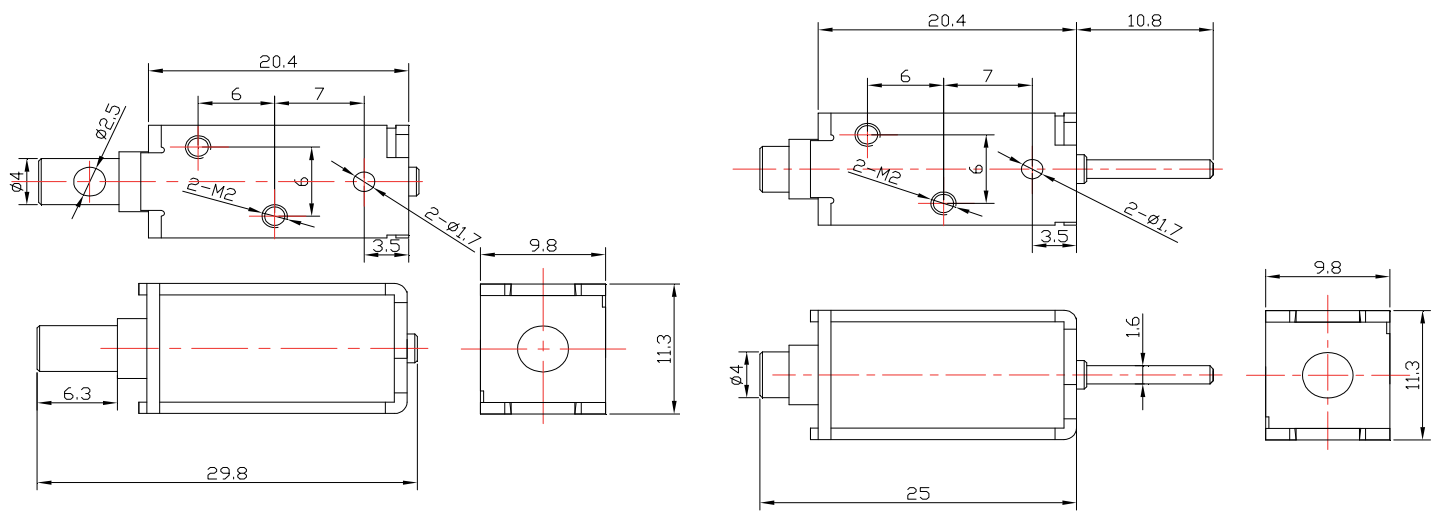
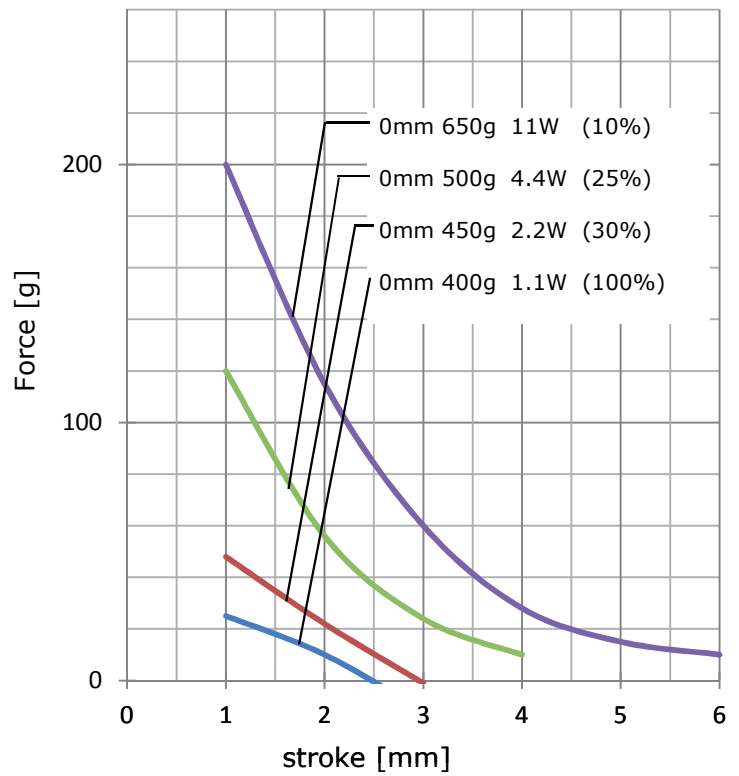




SOLENOID
D-Frame



Item No.						
3	2		1		4	2
1	2	3	4	5	6	7
Item No.						
6 VDC		2				
12 VDC		3				
24 VDC		4				
48 VDC		5				
Application:						
pull				2		
pull + spring				3		
push				4		
push + spring				5		



Data	ED = $\frac{\text{ON [sec]}}{\text{ON [sec] + OFF [sec]}} \times 100\%$	100%	50%	25%	10%
		continous	intermitted		
max. ON time [sec]		∞	50	18	2
at 20°C [W]		1,1	2,2	4,4	11
at 20°C [mA]		198	281	396	627
Resistance [Ω]		Voltage [VDC]			
32,7		6	8,5	12	19
131		12	17	24	38
528		24	25,5	48	57