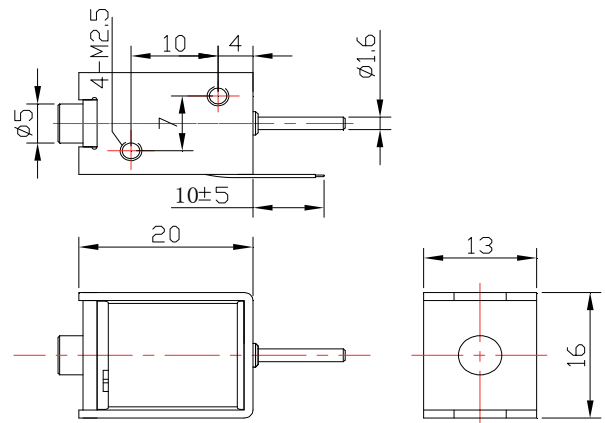
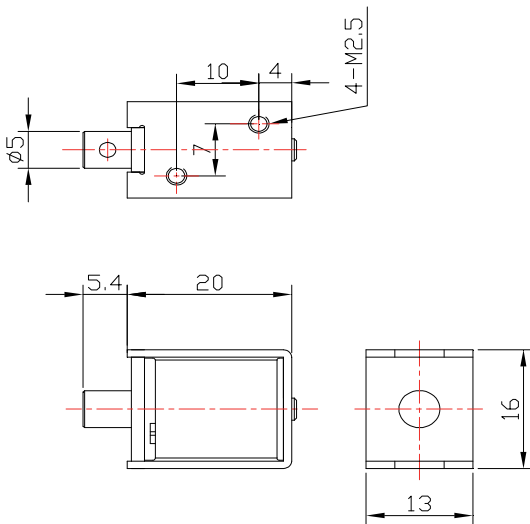
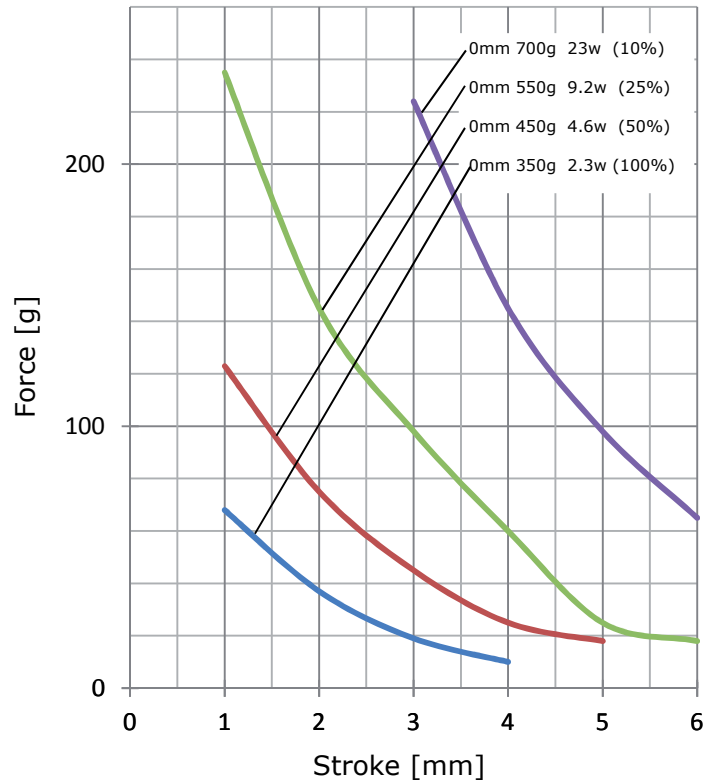


Item No.						
3	2		1		4	4
1	2	3	4	5	6	7
Voltage:						
6 VDC		2				
12 VDC		3				
24 VDC		4				
48 VDC		5				
Application:						
pull				2		
pull + spring				3		
push				4		
push + spring				5		



Data	ED = $\frac{\text{ON [sec]}}{\text{ON [sec] + OFF [sec]}} \times 100\%$	100%	50%	25%	10%
		continous	intermitted		
max. ON time [sec]		∞	50	18	2
at 20°C [W]		2,3	4,6	9,2	23
at 20°C [mA]		503	713	1006	1593
Resistance [Ω]		Voltage [VDC]			
23		6	8,5	12	19
90		12	17	24	38
360		24	34	48	76