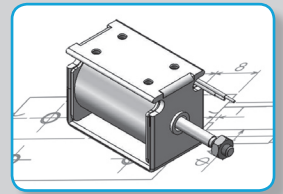
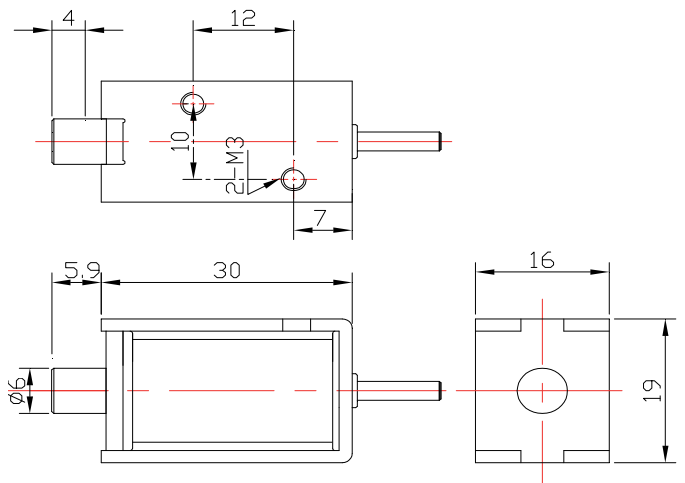
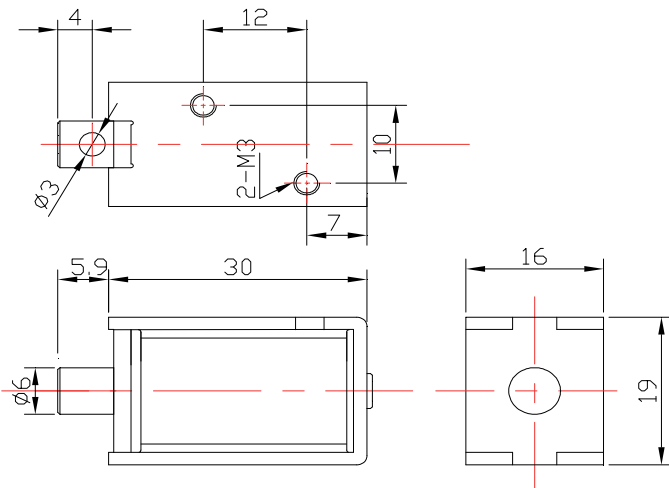
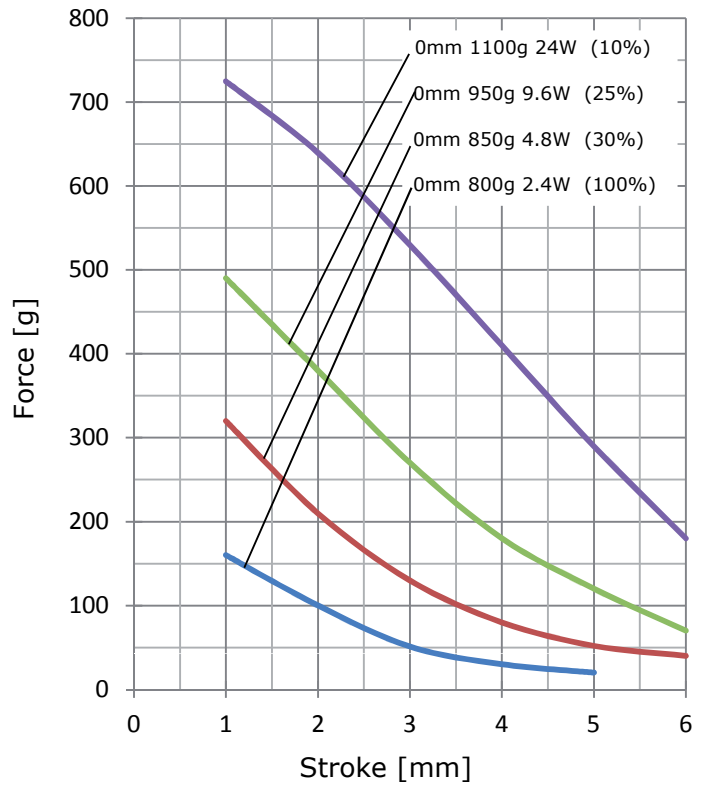




SOLENOID
D-Frame



Item No.						
3	2		1		4	6
1	2	3	4	5	6	7
Voltage:						
6 VDC		2				
12 VDC		3				
24 VDC		4				
48 VDC		5				
Application:						
pull				2		
pull + spring				3		
push				4		
push + spring				5		



Data	ED = $\frac{\text{ON [sec]}}{\text{ON [sec] + OFF [sec]}} \times 100\%$	100%	50%	25%	10%
	max. ON time [sec]	∞	55	19	3
	at 20°C [W]	2,4	4,8	9,6	24
	at 20°C [mA]	432	615	865	1370
	Resistance [Ω]	Voltage [VDC]			
15	6	8,5	12	19	
60	12	17	24	38	
240	24	34	48	76	
960	48	68	96	152	