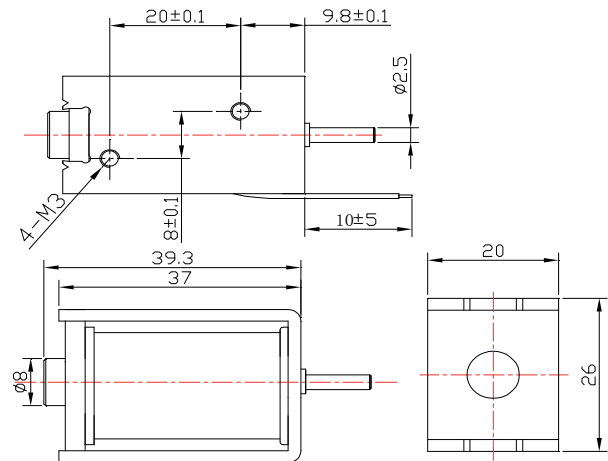
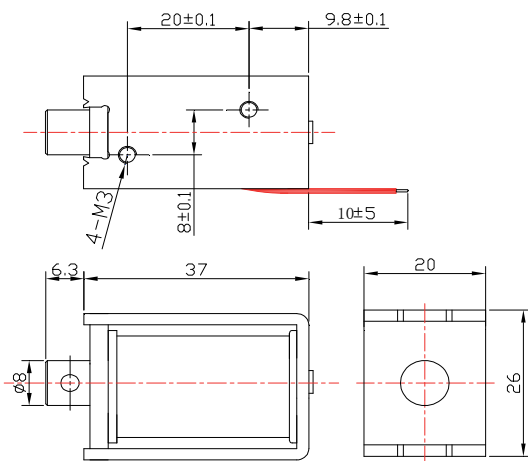
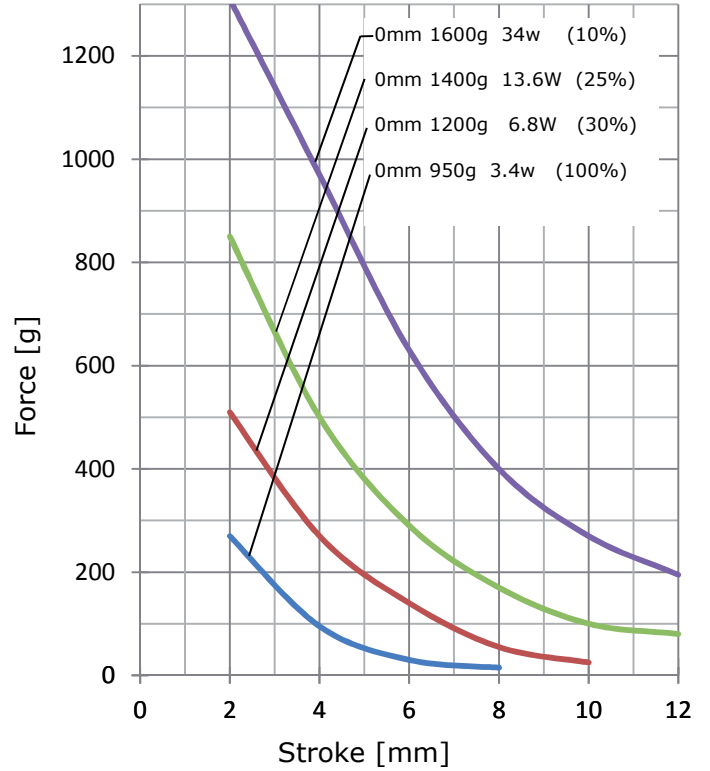


Item No.						
<b>3</b>	<b>2</b>		<b>2</b>		<b>4</b>	<b>4</b>
1	2	3	4	5	6	7
<b>Voltage:</b>						
6 VDC		<b>2</b>				
12 VDC		<b>3</b>				
24 VDC		<b>4</b>				
48 VDC		<b>5</b>				
<b>Application:</b>						
pull				<b>2</b>		
pull + spring				<b>3</b>		
push				<b>4</b>		
push + spring				<b>5</b>		



Data	ED = $\frac{\text{ON [sec]}}{\text{ON [sec] + OFF [sec]}} \times 100\%$ max. ON time [sec]	100%	50%	25%	10%
		continous	intermitted		
	at 20°C [W]	3,4	6,8	13,6	34
	at 20°C [mA]	566	802	1132	1793
	Resistance [Ω]	Voltage [VDC]			
	10,6	6	8,5	12	19
	42,4	12	17	24	38
	169	24	34	48	76
	678	48	68	96	152