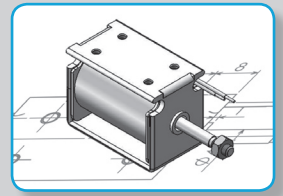




SOLENOID D-Frame



Item No.

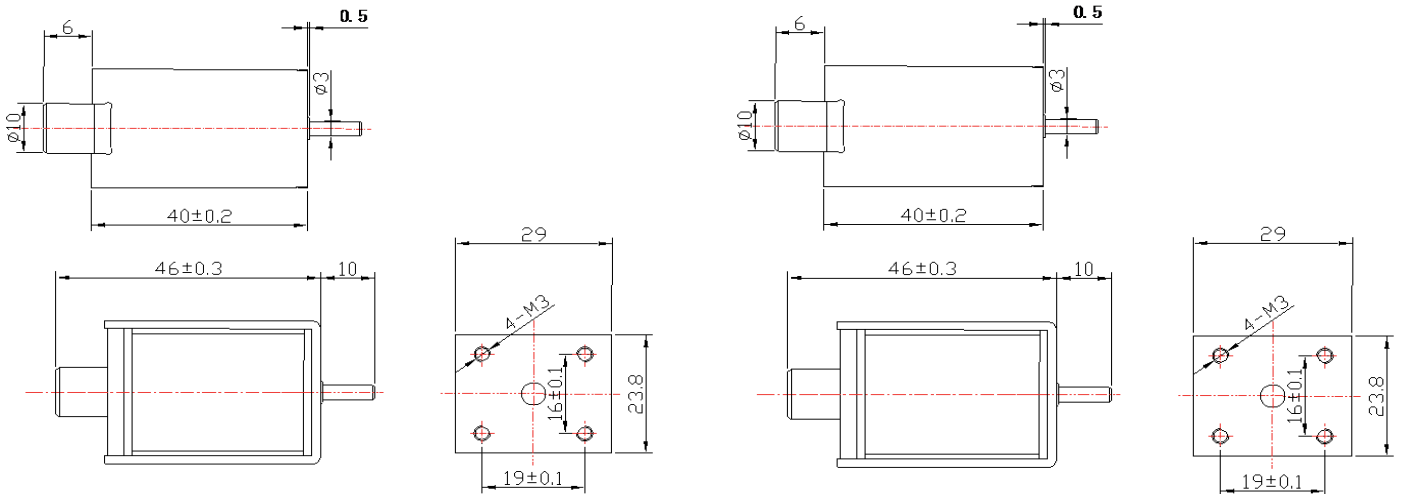
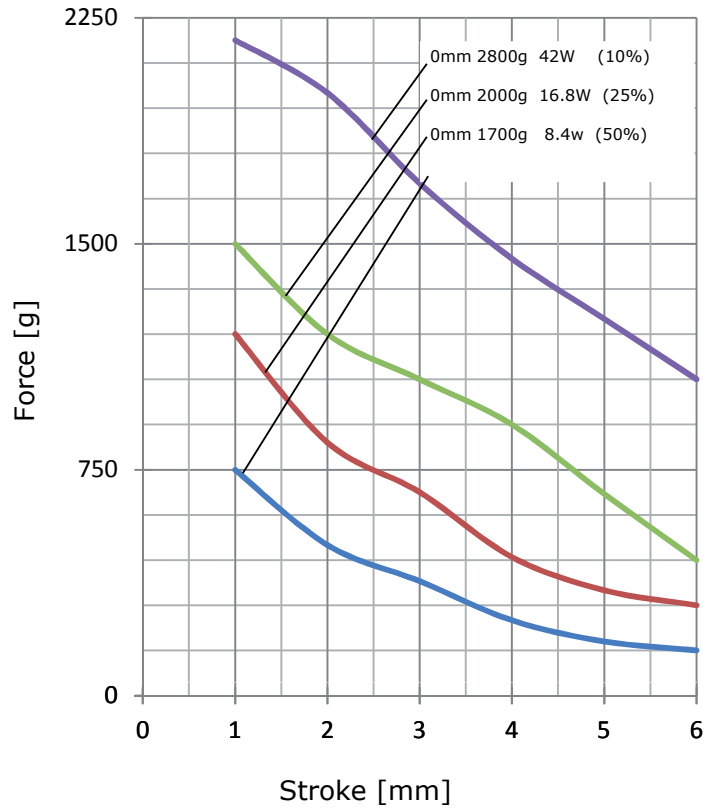
| | | | | | | |
|---|---|---|---|---|---|---|
| 3 | 2 | | 2 | | 4 | 6 |
| 1 | 2 | 3 | 4 | 5 | 6 | 7 |

Voltage:

| | |
|--------|---|
| 6 VDC | 2 |
| 12 VDC | 3 |
| 24 VDC | 4 |
| 48 VDC | 5 |

Application:

| | |
|---------------|---|
| pull | 2 |
| pull + spring | 3 |
| push | 4 |
| push + spring | 5 |



| Data | ED = $\frac{\text{ON [sec]}}{\text{ON [sec] + OFF [sec]}} \times 100\%$ | 100% | 50% | 25% | 10% |
|------|---|---------------|--------------|------|------|
| | | continuous | intermittent | | |
| | max. ON time [sec] | ∞ | 140 | 50 | 9 |
| | at 20°C [W] | 4,2 | 8,4 | 16,8 | 42 |
| | at 20°C [mA] | 635 | 898 | 1270 | 2008 |
| | Resistance [Ω] | Voltage [VDC] | | | |
| | 9 | 6 | 8,5 | 12 | 19 |
| | 34 | 12 | 17 | 24 | 38 |
| | 137 | 24 | 34 | 48 | 76 |
| | 549 | 48 | 68 | 96 | 152 |