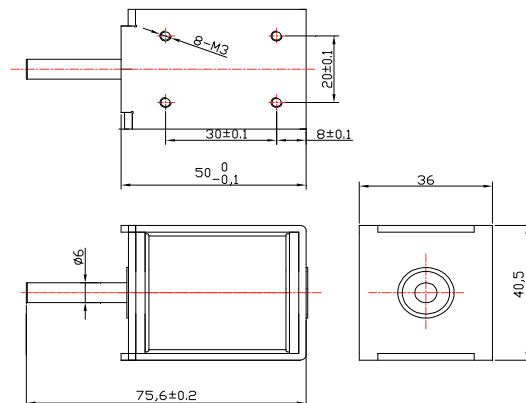
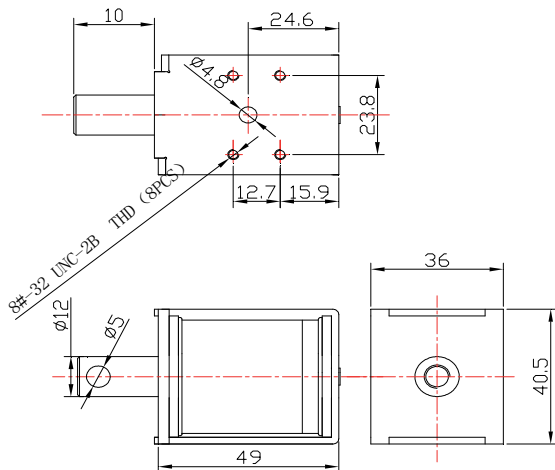
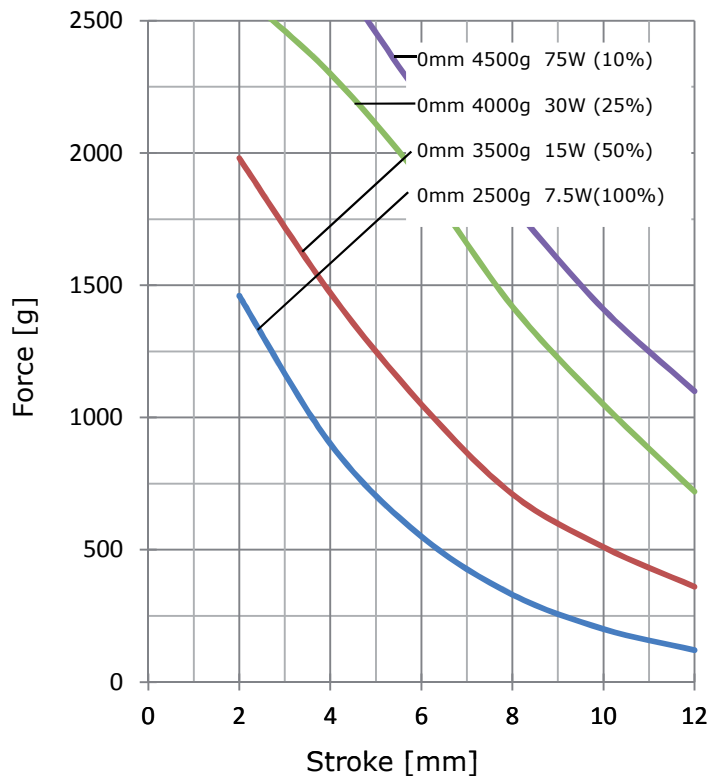


Item No.						
3	2		3		4	2
1	2	3	4	5	6	7
Voltage:						
6 VDC		2				
12 VDC		3				
24 VDC		4				
48 VDC		5				
Application:						
pull				2		
pull + spring				3		
push				4		
push + spring				5		



Data	ED = $\frac{\text{ON [sec]}}{\text{ON [sec] + OFF [sec]}} \times 100\%$	100%	50%	25%	10%
		continuous	intermitted		
	max. ON time [sec]	∞	140	50	9
	at 20°C [W]	7,5	15	30	75
	at 20°C [mA]	1200	1700	2400	3800
	Resistance [Ω]	Voltage [VDC]			
	4,8	6	8,5	12	19
	19,2	12	17	24	38
	76,8	24	34	48	76
	307,2	48	68	96	152