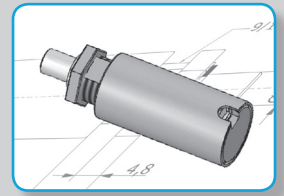




SOLENOID
Cylinder



Item No.

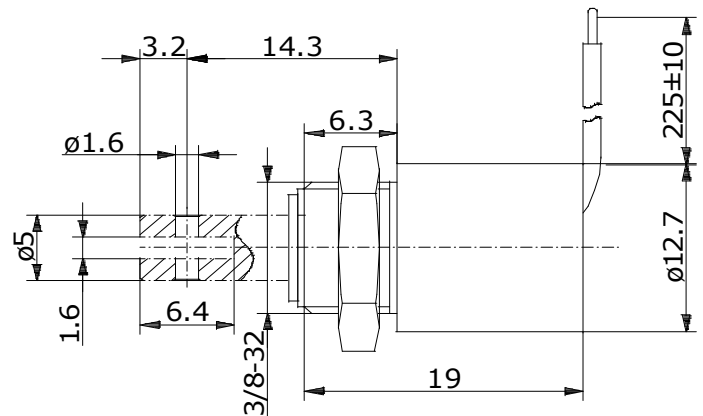
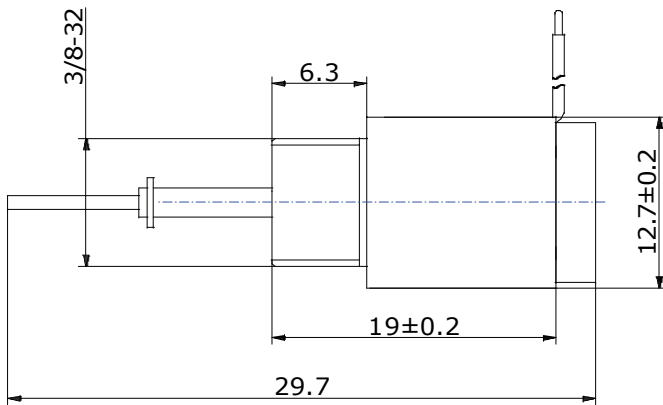
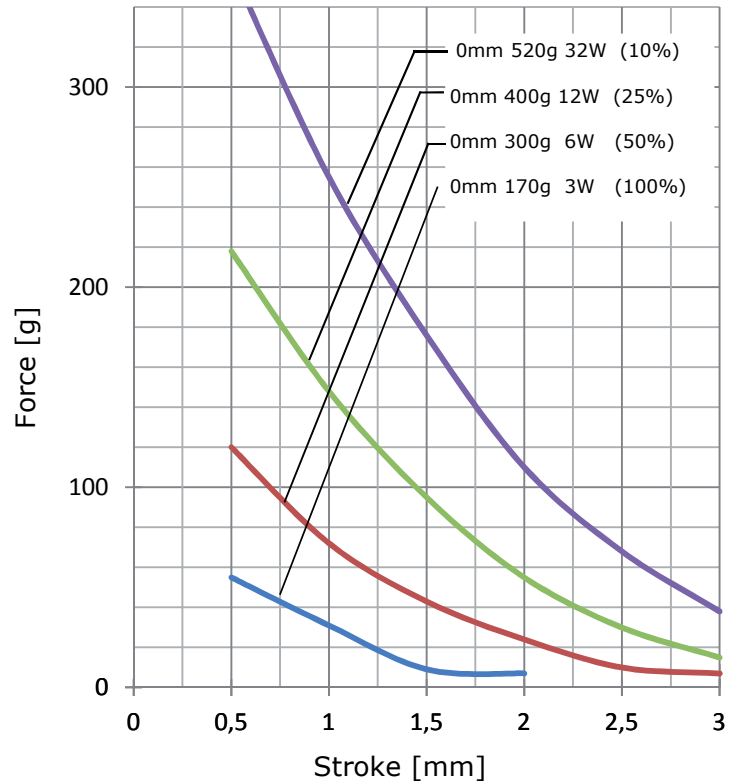
3	3		1		4	1
1	2	3	4	5	6	7

Voltage:

6 VDC	2
12 VDC	3
24 VDC	4
48 VDC	5

Application:

pull	2
pull + spring	3
push	4
push + spring	5



Data	ED = $\frac{\text{ON [sec]}}{\text{ON [sec] + OFF [sec]}} \times 100\%$ max. ON time [sec]	100%	50%	25%	10%
		continuous	intermittent		
	at 20°C [W]	3	6	12	30
	at 20°C [mA]	232	330	465	735
Resistance [Ω]		Voltage [VDC]			
	3,9	4,2	6	8,5	13,4
	9,5	8,5	12	17	26,8
	23	17	24	34	53,7
	86,5	34	48	67,9	107,3