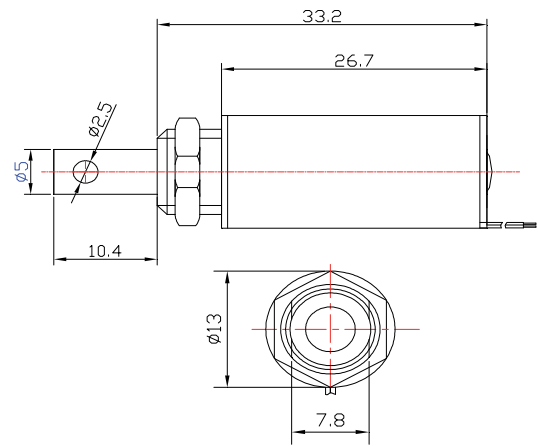
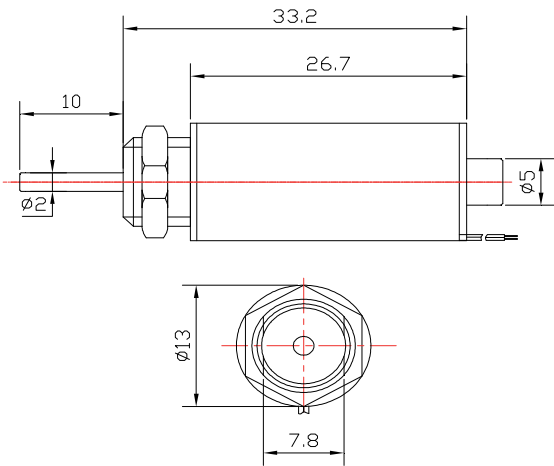
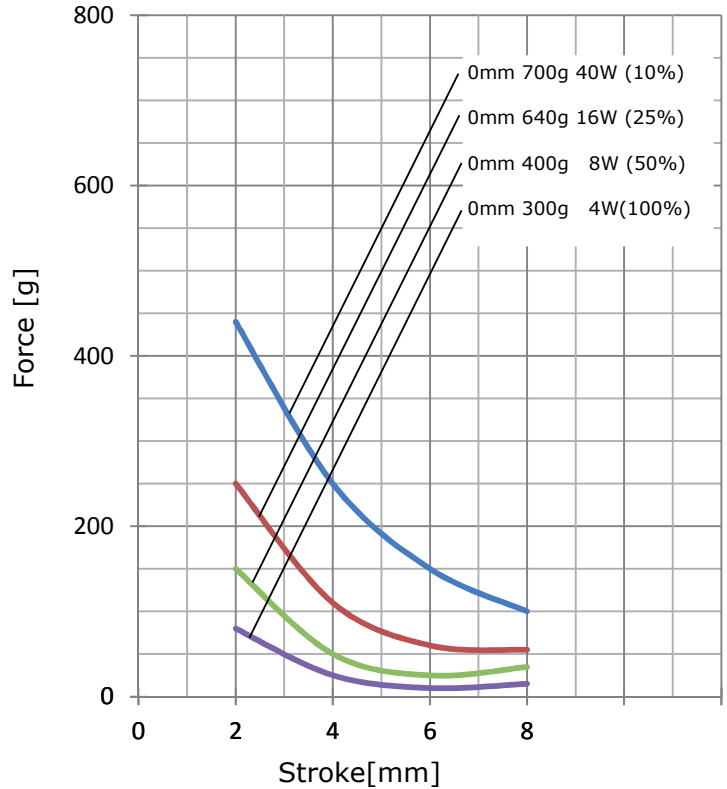


Item No.						
3	3		1		4	3
1	2	3	4	5	6	7
Voltage:						
6 VDC		2				
12 VDC		3				
24 VDC		4				
48 VDC		5				
Application:						
pull				2		
pull + spring				3		
push				4		
push + spring				5		



Data	ED = $\frac{\text{ON [sec]}}{\text{ON [sec] + OFF [sec]}} \times 100\%$	100%	50%	25%	10%
		continuous	intermittent		
	max. ON time [sec]	∞	50	5	2
	at 20°C [W]	4	8	16	40
	at 20°C [mA]	453	640	905	1440
	Resistance [Ω]	Voltage [VDC]			
	3,94	4,2	5,9	8,4	13,3
	25,6	10,6	14,9	21	34
	99	21	29	41	66
	300	34	48	68	109