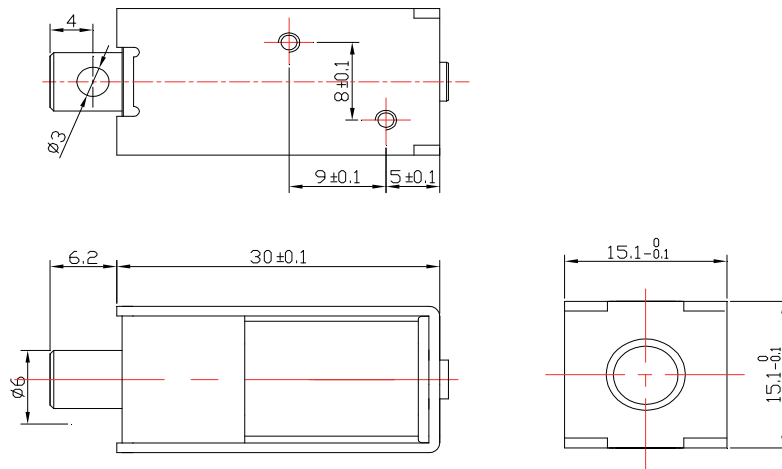
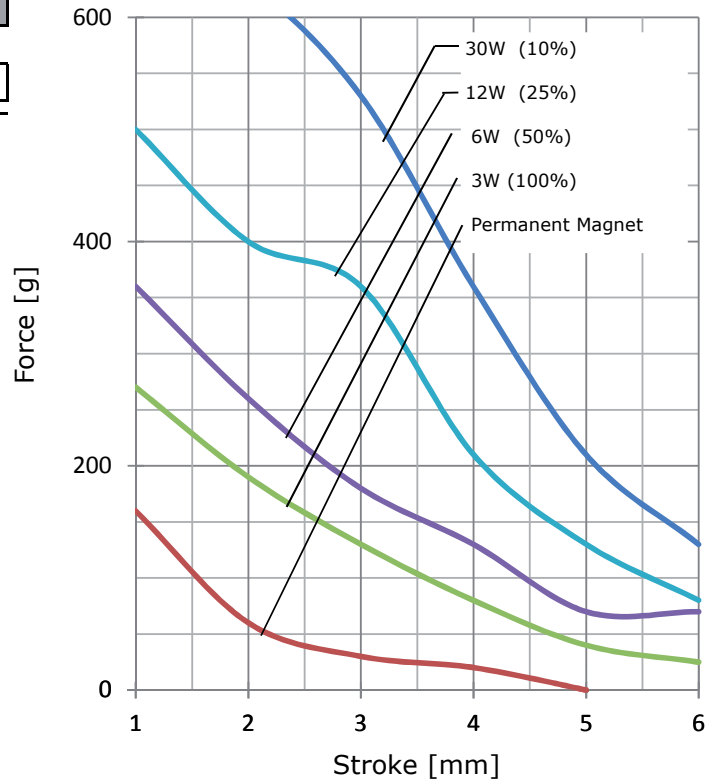


Item No.						
3	4		1		4	2
1	2	3	4	5	6	7
Voltage:						
6 VDC		2				
12 VDC		3				
24 VDC		4				
48 VDC		5				
Application:						
pull				2		
pull + spring				3		
push				4		
push + spring				5		



Data	ED = $\frac{\text{ON [sec]}}{\text{ON [sec] + OFF [sec]}} \times 100\%$	100%	50%	25%	10%
		continuous		intermitted	
max. ON time [sec]		∞	50	25	8
at 20°C [W]		3	6	12	30
at 20°C [mA]		307	438	621	980
Resistance [Ω]		Voltage [VDC]			
6		4,2	6	8,5	13,4
24		8,5	12	17	26,8
96		17	24	34	53,7
384		34	48	67,9	107,3